



3D FACE DOOR LOCK



TUYA SMART

with viewer camera

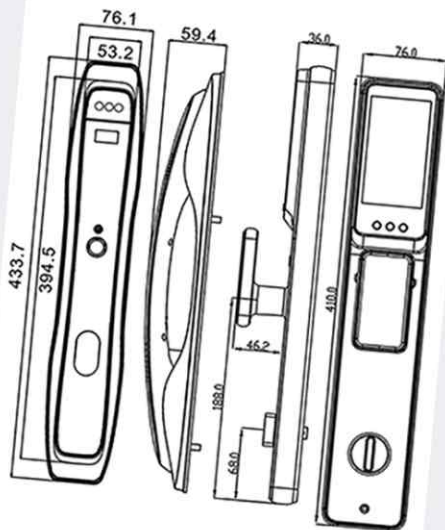
SPECIFICATION

Size: 6068 Normal Mortise

Material: Zinc Alloy

Connection method: Wifi

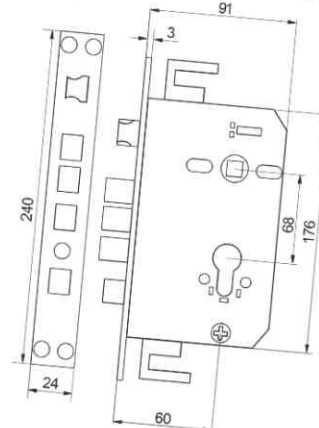
Power supply: Lithium battery



MORTISE



6068
Normal Mortise



COLOR

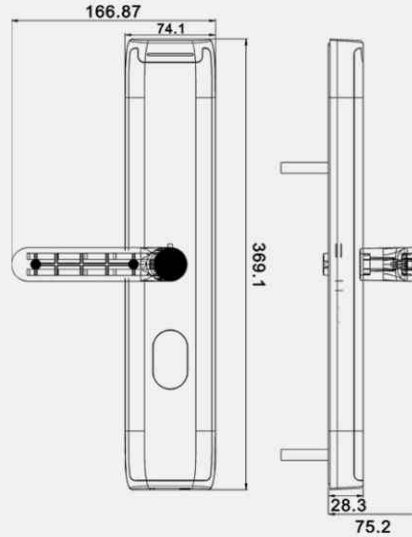


UNLOCKING

- Face
- Door Bell
- App
- Fingerprint
- Code
- Card reading
- Key
- Display Screen



FINGERPRINT DOOR LOCK



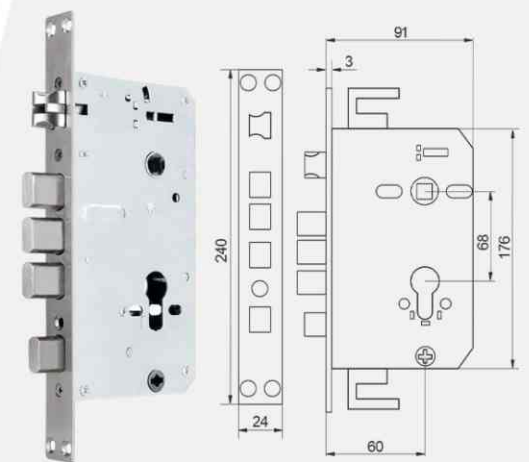
Specification

- Size:** 6068Mortise
- Material:** Aluminum alloy
- Connection method:** WIFI
- Power supply:** NO.5AA alkaline batteries

Unlocking

- App
- Fingerprint
- Code
- Card reading
- Key

mortise



6068 Normal Mortise



ALUMINUM DOOR LOCK



TT LOCK

Specification

Size: 5085 Mortise

Material: Aluminum alloy

Connection method: WIFI

Power supply: NO.5AA alkaline batteries

Unlocking



App



Fingerprint



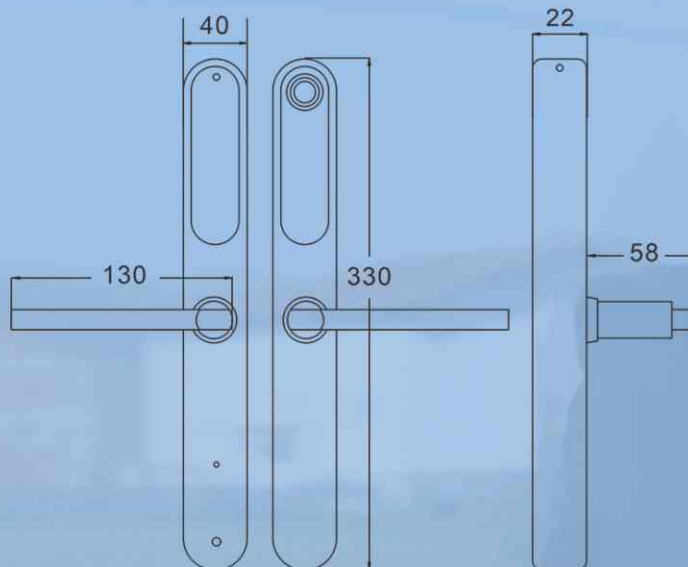
Code



Card reading



Key



mortise



5085 Mortise

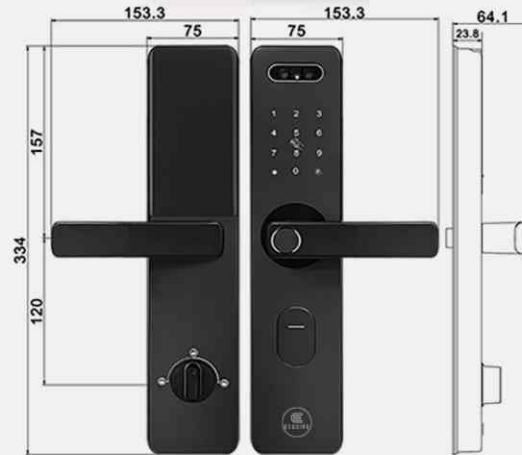
Product Display





3D FACE DOOR LOCK

tuya
TUYA SMART



Specification

Size:
6085 Mortise

Material:
Aluminum alloy

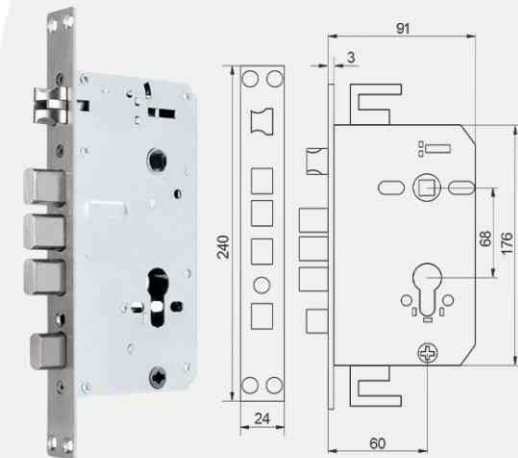
Connection method:
WIFI

Power supply:
NO.5AA alkaline batteries

Unlocking



mortise



6068 Normal Mortise



FINGERPRINT DOOR LOCK

SPECIFICATION

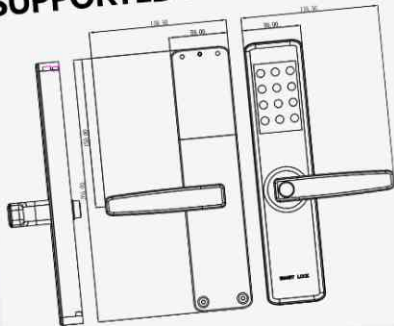
Size:
5050 Mortise

Material:
Aluminum alloy

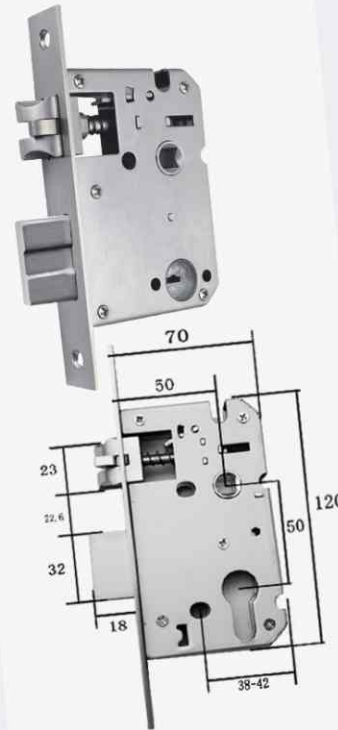
Connection method:
WIFI

Power supply:
NO.5AA alkaline batteries

SUPPORTED LANGUAGES



MORTISE

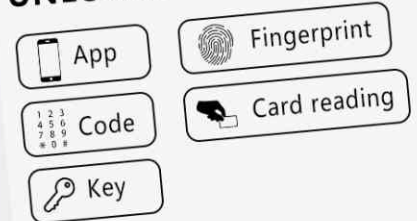


5050 Mortise

COLOR



UNLOCKING





COLOUR



BLACK

BRONZE

SPECIFICATION

Size: 6068 Normal Mortise

Material: Zinc Alloy

Connection method: Wifi

Power supply: Lithium battery

UNLOCKING



Phone



Fingerprint

1 2 3
4 5 6
7 8 9
* 0 #

Password



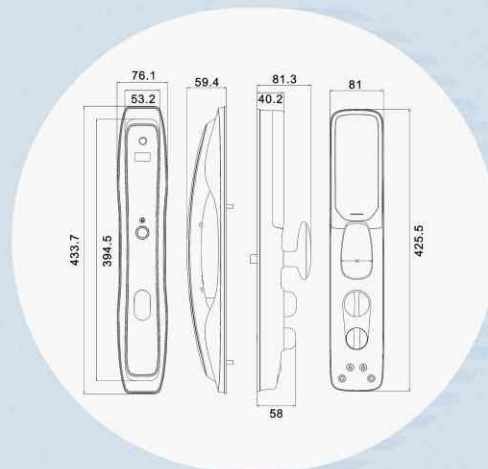
Card reading



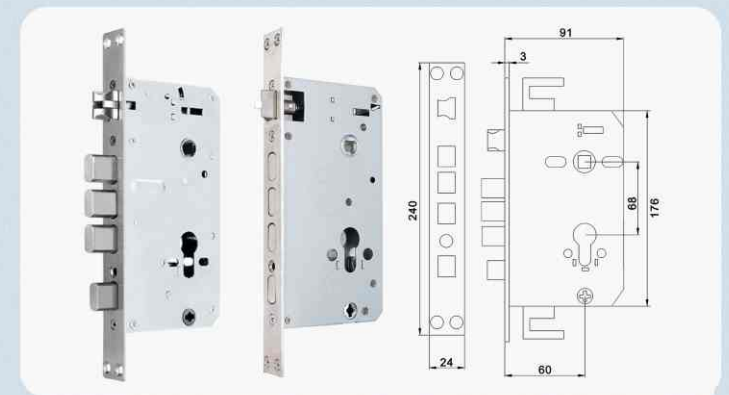
Key



Emergency power supply



MORTISE





3D FACE DOOR LOCK

w i t h v i e w e r c a m e r a

SPECIFICATION

Size: 6068 Normal Mortise

Material: Aluminum alloy

Fingerprint: Biometric Fingerprint scanner

Panel: Touchscreen

Connection method: Wifi

Power supply: Lithium battery

UNLOCKING



Face



Phone



Fingerprint

1 2 3
4 5 6
7 8 9
* 0 #

Password



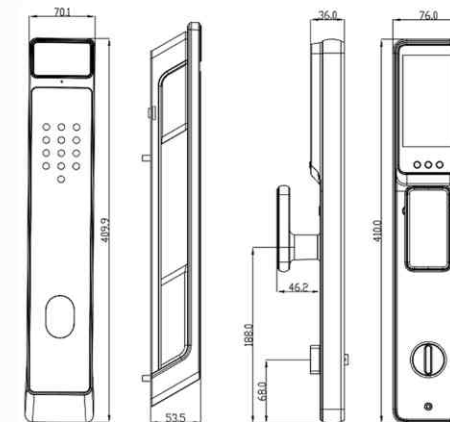
Card reading



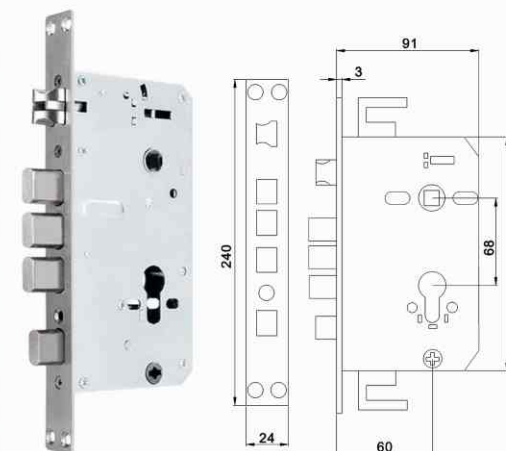
Key



Emergency power supply



MORTISE





FINGERPRINT DOOR LOCK

Operation display screen

SPECIFICATION

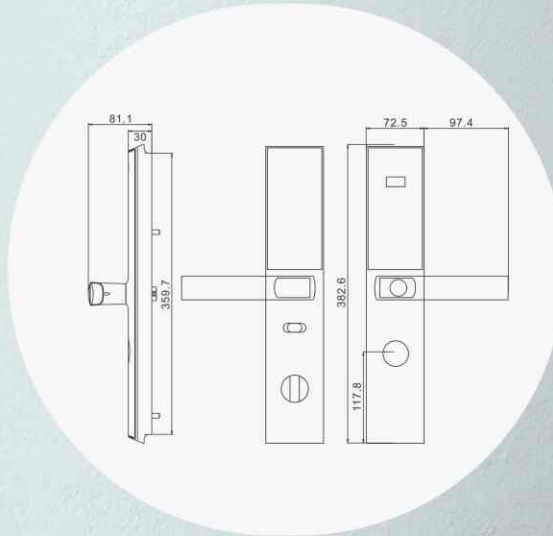
Size: 6068 Normal Mortise

Material: Aluminum alloy

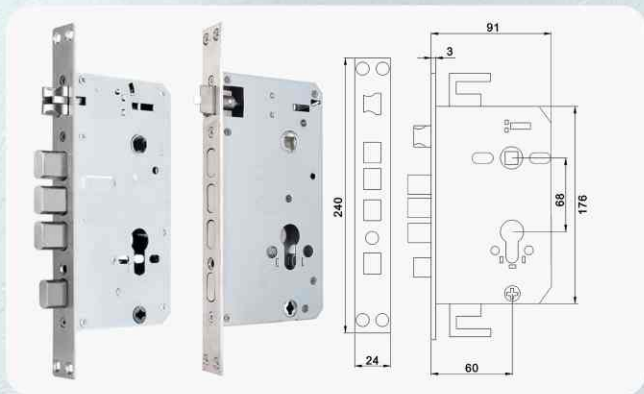
Connection method: Wifi

Power supply: Lithium battery

UNLOCKING



MORTISE





HOTEL DOOR LOCK

DESCRIPTION

Material : Aluminum Alloy

Board adopts : Philips Cpu Microcomputer

Lock body : International Standard 5-latch

Alarm function : Low Voltage

Unlocking : Card, Key

Appliance : Hotel/apartment/school

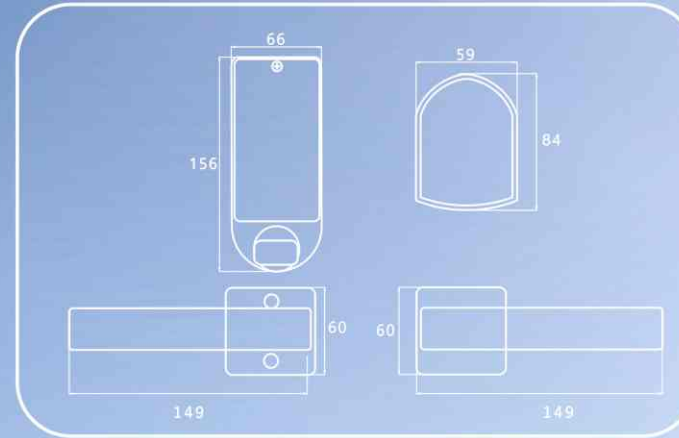
Capacity : Battery life225 Access Record

Available cards : Mifare -1 card S50

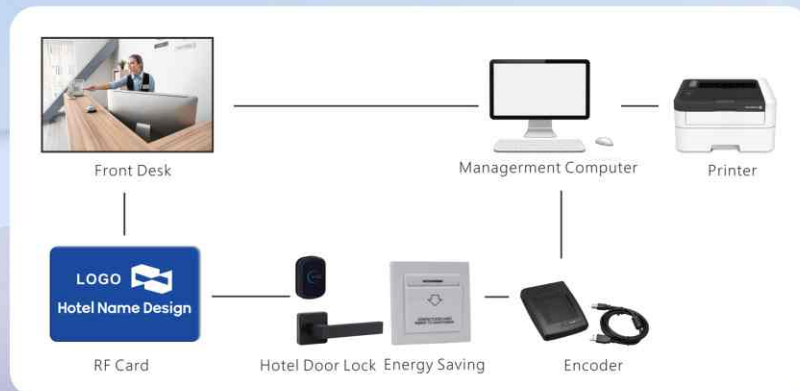
Working Temp : -20°C~+50°C

Static current : <20uA/<230uA

Unlocking time : Locked automatically after swiping the card for 5 seconds



HOTEL LOCK SYSTEM





HOTEL DOOR LOCK

DESCRIPTION

Material : Aluminum Alloy

Board adopts : Philips Cpu Microcomputer

Lock body : International Standard 5-latch

Alarm function : Low Voltage

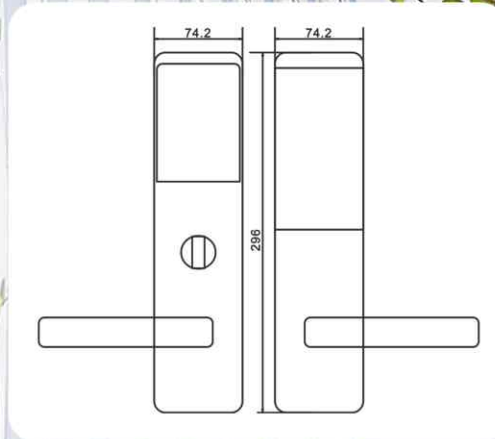
Unlocking : Card, Key

Unlocking time : Locked automatically after swiping the card for 5 seconds

Motor service life : 600,000 times

Door thickness : >38mm

Power supply : 4x1.5V AA alkaline batteries



HOTEL LOCK SYSTEM





HOTEL DOOR LOCK

DESCRIPTION

Material : Carbon Steel

Board adopts : Philips Cpu Microcomputer

Lock body : International Standard 5-latch

Alarm function : Low Voltage

Unlocking : Card, Key

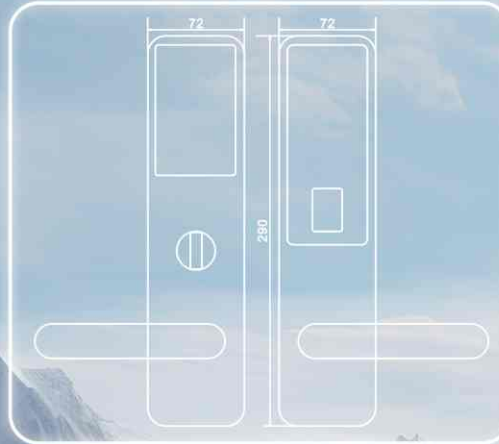
Appliance : Hotel/apartment/school

Capacity : Battery life 225 Access Record

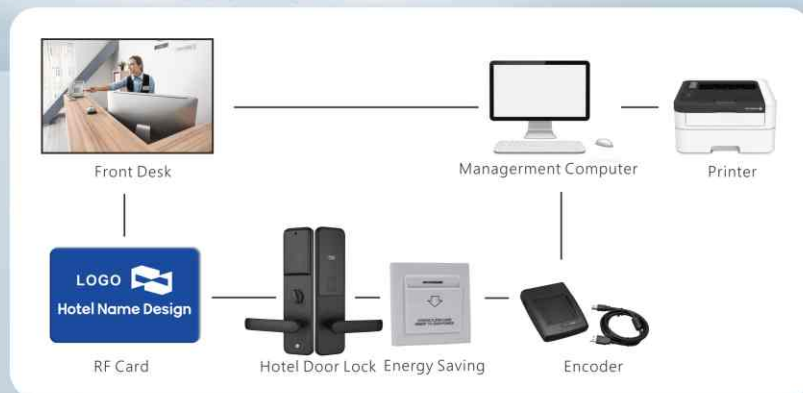
Working Temp : -20°C~+50°C

Motor service life : 600,000 times

Power supply : 4x1.5V AA alkaline batteries



HOTEL LOCK SYSTEM





OUR PRODUCT COLLECTION

