

## Single Cylinder Fingerprint Touchscreen Door Lock



iFinger-S-W

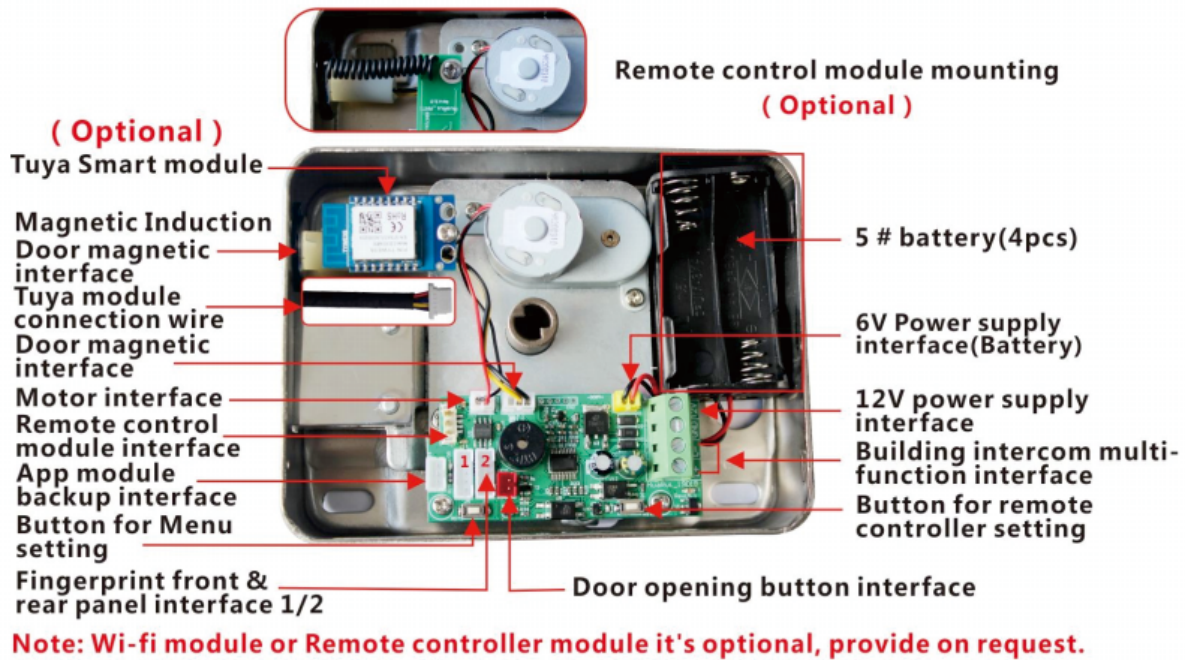
### Features

- > Standard version with 4 in 1 unlocking ways:  
Fingerprint, password, key, card--which each of them with 100 capacity except the key, 3pcs key defaulted;
- > Support Wifi Tuya APP access(No need extra gateway), with unlocking records and remote control from the cell phone;
- > Optional for Bluetooth APP access;
- > Optional for Remote control, the controller frequency is 433MHz;
- > Battery supported working--4X 5# Alkaline batteries. OR DC 12V power supply against your using frequency;
- > With semiconductor fingerprint reader head;
- > Single-cylinder and Dual cylinder provide on request;
- > Its widely fit for wooden door, iron door, aluminum door, Sheet steel door, etc...
- > Its wide application for home, apartments, office, etc..
- > Cost-saving, easy-installation, simple-flexible operation

### Specifications

Working Voltage	4X AA 5# alkaline batteries (Not include)Or 12V power supply
Static current	< 50-65μA
Administrator	9 group
Unlock ways	Fingerprint, Card, Password, Key(Optional for Tuya app or Remote controller)
Working current	>250mA(Strong Drive)
Fingerprint Capacity	<=100
Card Capacity	<=100
Password Capacity	<=100
Remote control capacity	<=30
Password	6-8 bit
Virtual password	16bit
Low voltage alarm	4.5+-0.2V
Working Temperature	-10°C ~ 60°C
Humidity	20% ~ 93%

## Interface specification



## Install Diagram

