



ALLOY

SMART WITH SIMPLICITY

24 MONTH
MANUFACTURER
WARRANTY



PRODUCT DESCRIPTION

- The light sensitivity and the delay of time can be adjusted itself.
- Commonly used to control lighting and extract ventilation
- The internal electromagnetic compatibility design will not affect the normal operation of other electrical appliances

230 V~



IP20



OCT-ALLOY



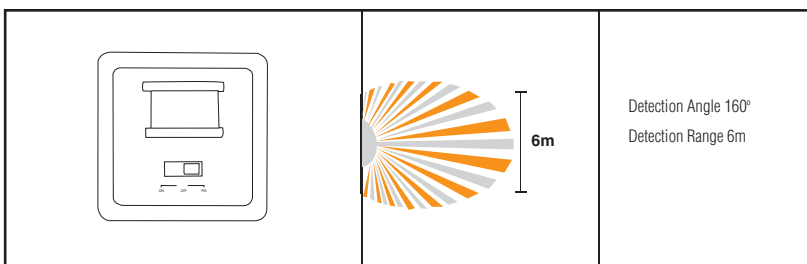
TECHNICAL DATA

General			
Warranty	24 months	Recommended Instalation Heights	1.3m
		Max. Mounting Height	4.2m
Mounting		Light Mesurment	Mixed light
Installation Type	wall		
Installation Position	wall	Number Of Channels	No
		Push Button Input	
Housing		Slave Input	No
Dimension	H 80mm, W 80mm,		
Weight	120gm	Fully Automatic	Yes
Protective Class	IP20	Semi Automatic	No
Permissible ambient Temperature	-30°C...+50°	Switching Delay From "Dark To Light"	2.Sec
Relative Humidity	5-93% non-condensing	Switching Delay From "Light To Dark"	2.Sec
Color	White, similar to RAL 9010		
Connection	2.5mm/1.5mm	Control	OCT-iSense Enabled
Electrical Version		Channel 1	Lighting
Protection Class	II	Interface	Switching
nominal Voltage	230V/50Hz	Contact	Non-floating
Power Consumption	0.6W	Switching Capacity	230V, 200W
		Switch-off Delay Time	Adjustable
Sensor		Master/slave Function	No
Detection Angle	160°	Constant Lighting Control	No
Detection Range Diagonally	160°	Manual Override	No
Detection Range Head-on	6m	Programmable	Yes

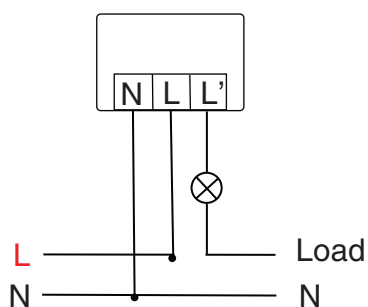
SCALE DRAWING

FLELD OF DETECTION

DETECTION RANGE



CIRCUIT DIAGRAM



OCT-ALLOY

